



JASSTECH

Powered by
Luxtronik™



Hercules (PLS)

400w-1250w

Spec Sheet

Version 1.0
November 16, 2017

Luxtronik Technical Department

JASSTECH Pty Ltd
www.jasstech.com.au
PH: 1300 665 135
enquiries@jasstech.com.au

Hercules is one of the world's highest output and compact LED Luminaires, designed for Stadiums, Tribunes and tower lighting applications

Features & Benefits

- Up to 1250W and over 150,000 luminous flux
- Unique, fold fin heatsink technology greatly reduces thermal density and maintains a low LED junction temperature
- Full range of optics for a wide variety of professional lighting applications
- Protective UV stabilized powder coated finish
- IP65 weather resistant
- 0-10V or DALI Dimming options and compatible with all leading lighting control systems

Applications

Designed for applications such as;

- High Mast
- Sports stadiums
- Ports
- Indoor arenas
- Railyards
- Airport Apron

Technical Specification

Model	LUX-PLS-400	LUX-PLS-600	LUX-PLS-800	LUX-PLS-1000	LUX-PLS-1250
LED Max Power (W)	400w	600w	800w	1000w	1250w
Typical System Power (W)	440w	660w	880w	1100w	1350w
Typical Luminous Flux (lm)	52,800	79,000	105,500	132,000	150,000
Dimensions (mm)	533x230x518	533x230x518	643x282x565	643x282x565	643x282x565
Weight: Luminaire (kg)	20	20	30	30	30
Power Gear (kg)	4.6	8	9.2	12	10.4
Correlated Colour Temperature	4000K, 5000K, 5700K				
Colour Rendering Index	>70 or >80 available				
Typical System Efficacy	120 lm/W				
LED Junction Temp.	≤75°C (@ Ta=25°C)				
Light Distribution Options	D10, D15, D30, D60, FT				
Flicker Rate	@100% = <2%				
Input Voltage Range	100-305VAC 50/60Hz				
Power Factor	> 0.90				
Electrical Class	Class I				
Dimming Control (optional)	0-10V, DALI, Sporte© Booking System				
Ambient Operating Temperature	-40°C to +45°C				
Ambient Storage Temperature	-25°C to +80°C				
Material	Aluminium (<0.1% Cu content)				
Optical Cover	Tempered glass				
Finish	Black powder coated (customized RAL colour available upon request)				
Driver Options	Remote / Onboard (IP65)				
Sail Area/ Windage (Max.)	400W-600W = 0.21m ² ; 800W-1500W = 0.25m ²				
Ingress Protection (IP)	IP65				
Batch Coded	Yes				
Certification	CE, CB, SAA, ETL				

JASSTECH Pty Ltd
www.jasstech.com.au
 PH: 1300 665 135
enquiries@jasstech.com.au

Accessories

Sensor compatible

Bracket design can be custom made for different sensors (ordered separately)

Aiming Laser

For simple aiming during install and commissioning

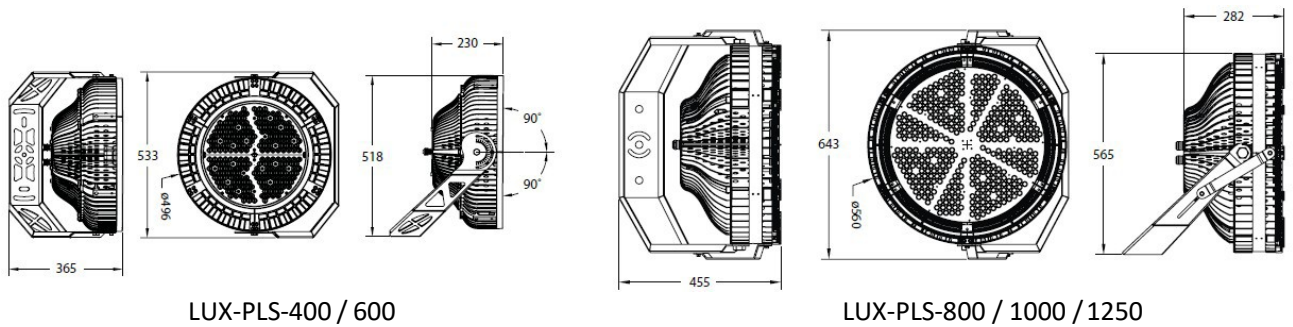
Glare Shield



Bullseye



Dimensions



LUX-PLS-400 / 600

LUX-PLS-800 / 1000 / 1250

Ordering Information

Product ID	LED Power	Color Temp	CRI	Optics	Control	Accessories
PLS	400 = 400W 600 = 600W 800 = 800W 1000 = 1000W 1250 = 1250W	40K = 4000K 50K = 5000K 57K = 5700K	70 = Min 70 80 = Min 80	D10 D15 D30 D60 FT	ND = Non-Dimmable VD = 0-10V Dimmable DD = DALI Dimmable	BE = Bullseye GS = Glare Shield

Note: Actual performance may differ as a result of end-user environment and application. All values are typical values, measured under laboratory conditions at 25 °C. Specifications subject to change without notice.

JASSTECH Pty Ltd
www.jasstech.com.au
 PH: 1300 665 135
enquiries@jasstech.com.au