



# JASSTECH

*The future is bright*



# THOR

LED Flood Lighting System

# THE FUTURE OF AREA LIGHTING IS HERE

Australia is one of the harshest environments for high-powered outdoor and sports lighting.

Thor is the next generation in elite performance, multi-application LED luminaire designed to illuminate sports fields, airports, and large outdoor areas with: superior uniformity; outstanding light quality; and remarkable visual comfort.

Utilising our patented fold-fin thermal technology, and the latest high flux LEDs, Thor delivers the highest luminous flux from a single, compact, lightweight luminaire. The custom engineered optics are also a major breakthrough in LED beam control, enabling Thor to deliver incredible photometric outputs that meet and exceed the most challenging of lighting requirements.

## BENEFITS

- « Very low windage area (EPA)
- « Various lumen packages to replace inefficient old-style 400W-2kW lamps
- « Easy direct replacement using the existing mast, wiring, and mounting arms
- « Dark sky friendly with zero upward light
- « Visors allow for ultimate control, and reduced glare
- « Industry leading optical performance for light spill control
- « Consistent high performance in the most demanding environments
- « Compatible with leading programmable lighting control systems, including wireless systems

## KEY FEATURES



### 1 FOLD FINIS

Patented lightweight thermal structure maximizes heat dissipation whilst maintaining a compact, lightweight, luminaire design.

### 2 MOUNTING SYSTEM

Versatile mounting bracket designed for simple install in new or retro fit applications.

### 3 ADJUSTING

Simple to adjust for final aiming.

### 4 FINISH

Polyester powder paint provides a highly durable finish that is resistant to UV rays and corrosion (Coastal Finish option also available)

### 5 HOOD

Eliminates upward light leakage and provides excellent control of spill light

### 6 OPTICS

Eight custom-engineered optics that direct light precisely where needed whilst minimizing glare

### 7 IP66 ENCLOSURE

Weather-tight design ensures durability and reliability in the harshest environments.

### 8 LEDs

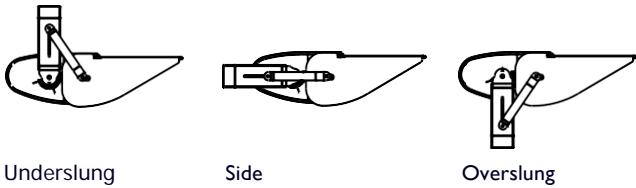
Long life, high density L80 > 100,000 hours Ta45°C

### 9 GLASS

Heat, shock and vandal resistant, toughened glass lens, with high light transmission.

# INSTALL

Thor is designed to be installed on existing lighting poles and infrastructures and can be mounted above or below a crossbar simply by inverting the bracket. This allows multiple lights to be fitted on each mast, eliminating the expense for new poles, crossarms, demolition, engineering, and foundations.



# DRIVER SYSTEM

## CONTROL

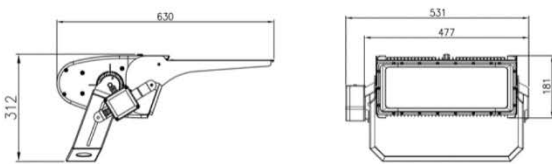
The power control technology delivers constant light output, independent of input voltage variations and runs at an efficiency of >96% and a power factor of 0.99\*.

## FLEXIBILITY

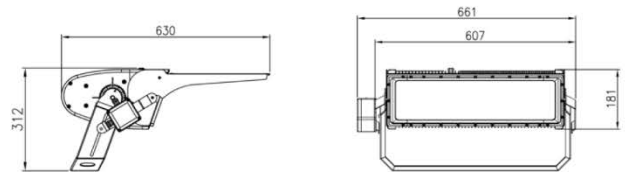
The complete power gear system can be located up to 50m away from the luminaires, making it Ideal for remote mounting. This simplifies installation, lowers initial cost and enables easy access for maintenance and future upgrades.

# Dimensions

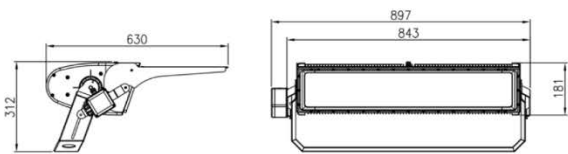
WDG-450 / WDG-650



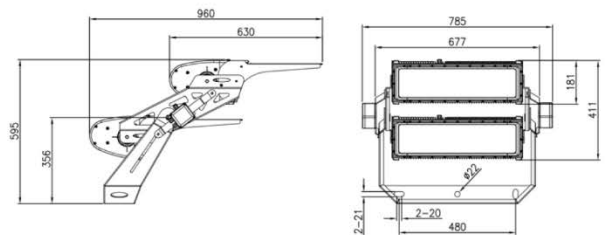
WDG-950



WDG-1250

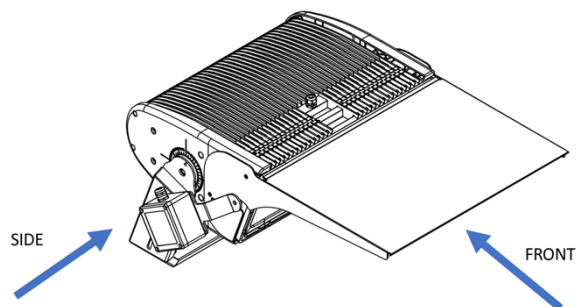


WDG-1850



# Sail Area

WATTAGE	WIND DIRECTION	
	FRONT	SIDE
450w / 650w	0.092 m <sup>2</sup>	0.074 m <sup>2</sup>
950w	0.119 m <sup>2</sup>	0.074 m <sup>2</sup>
1250w	0.167 m <sup>2</sup>	0.074 m <sup>2</sup>
1850w	0.267 m <sup>2</sup>	0.168 m <sup>2</sup>



# SPECIFICATIONS

Model	WDG-450	WDG-650	WDG-950	WDG-1250
LED Max Power (W)	450	650	950	1250
Typical System Power (W)	500	700	1050	1350
Typical Luminous Flux (lm)	51,500	74,500	108,000	143,500
Module Package Dimensions (mm)	531x630x312		661x630x312	897x630x312
Total Luminaire Mass (kg)	10.5	11	13	23
Front Windage (m <sup>2</sup> )	0.092		0.119	0.167
Side Windage (m <sup>2</sup> )	0.074			
Correlated Colour Temperature (CCT)	~5500K (other options available)			
Colour Rendering Index (CRI)	>Ra80			
System Efficacy (LER)	>115 lm/W			
LED Junction Temp. (@ Ta=25°C)	≤75°C			
Driver Position	Remote or on-board			
Input Voltage Range	240V and 415V options available			
Power Factor	>0.90			
Electrical Class	Class I			
Flicker Rate	<2%@100% power			
Dimming Control Options	0-10V, DALI, Wireless			
Ambient Operating Temperature	-40°C to +45°C			
Module Package Material	Aluminium (low copper content), SS 316 fasteners			
Optical Cover	Tempered Glass			
Finish	Black powder coated (customized RAL colour available upon			
Ingress Protection (IP)	Module Package=IP65/ Junction Box=IP66/ Driver=IP67			
IK (Impact) Rating	IK08			
Certifications	CE, CB, SAA, ETL			
Minimum Warranty	5-year/35,000-hour			

# ORDER CODES

PRODUCT ID	LED POWER	COLOR TEMP	CRI	OPTICS	COLOR
WDG	045 = 450W	40K = 4000K	70 = Min 70	FT = Far Throw	GR = Gray
	065 = 650W	50K = 5000K	80 = Min 80	MLR = Med Left-Right	BL = Black
	095 = 950W	65K = 6500K	90 = Min 90	SLR= Short Left-Right	
	125 = 1250W			R1 = Round 15°x 15°	
	155 = 1550W			R3 = Round 30°x 30°	
	185 = 1850W			R6 = Round 60°x 60°	



## CONTACT US

☎ 1300 665 135 | ✉ enquiries@jasstech.com.au

www.jasstech.com.au